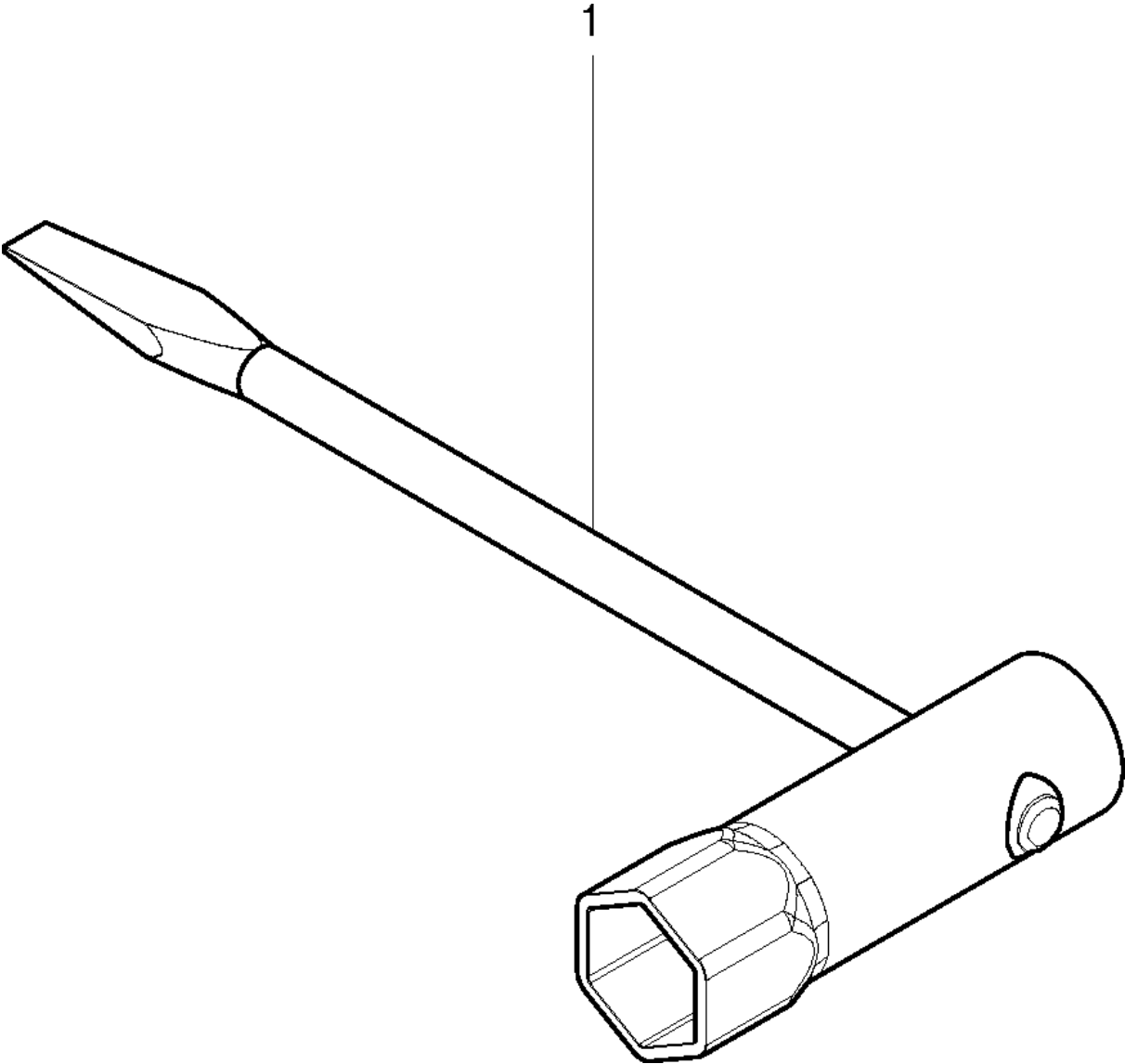




# SPARE PARTS LIST

CHAIN SAWS

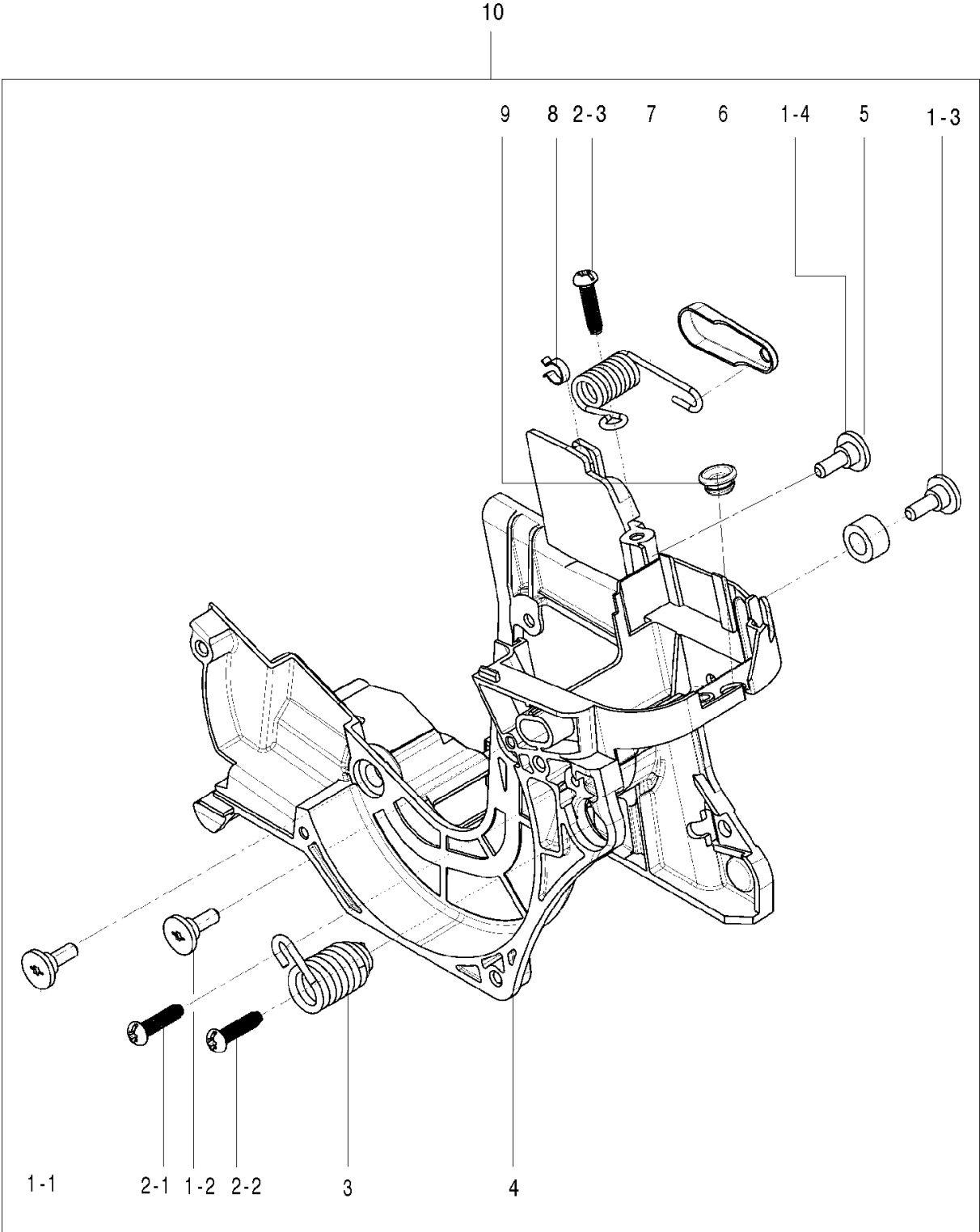
125, 967068002, 2016-06



ACCESSORIES

125, 967068002, 2016-06

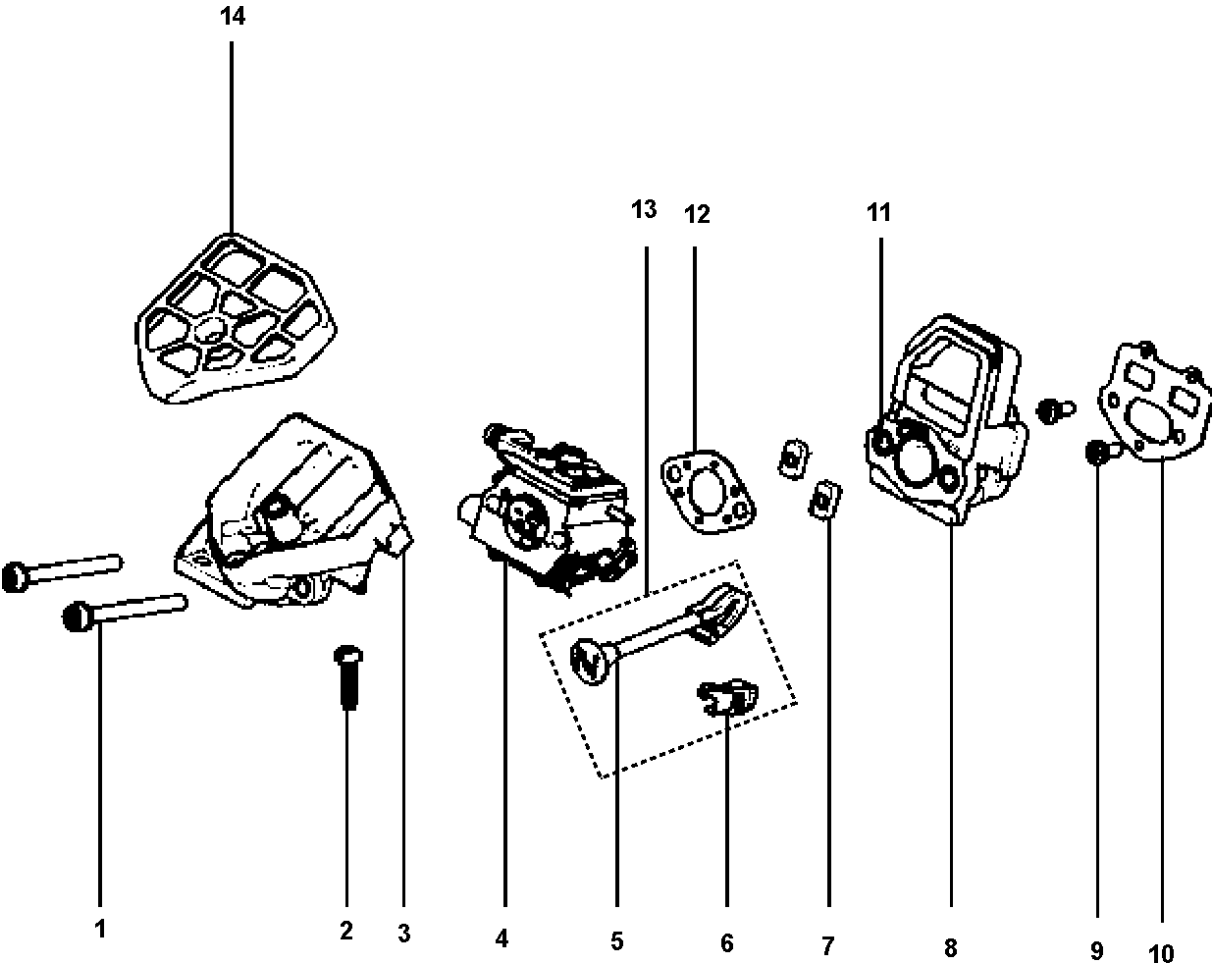
| Ref | Part No      | Description        | Remark | QTY KIT |
|-----|--------------|--------------------|--------|---------|
| 1   | 574 22 81-01 | COMBINATION WRENCH |        | 1       |



BRACKET

125, 967068002, 2016-06

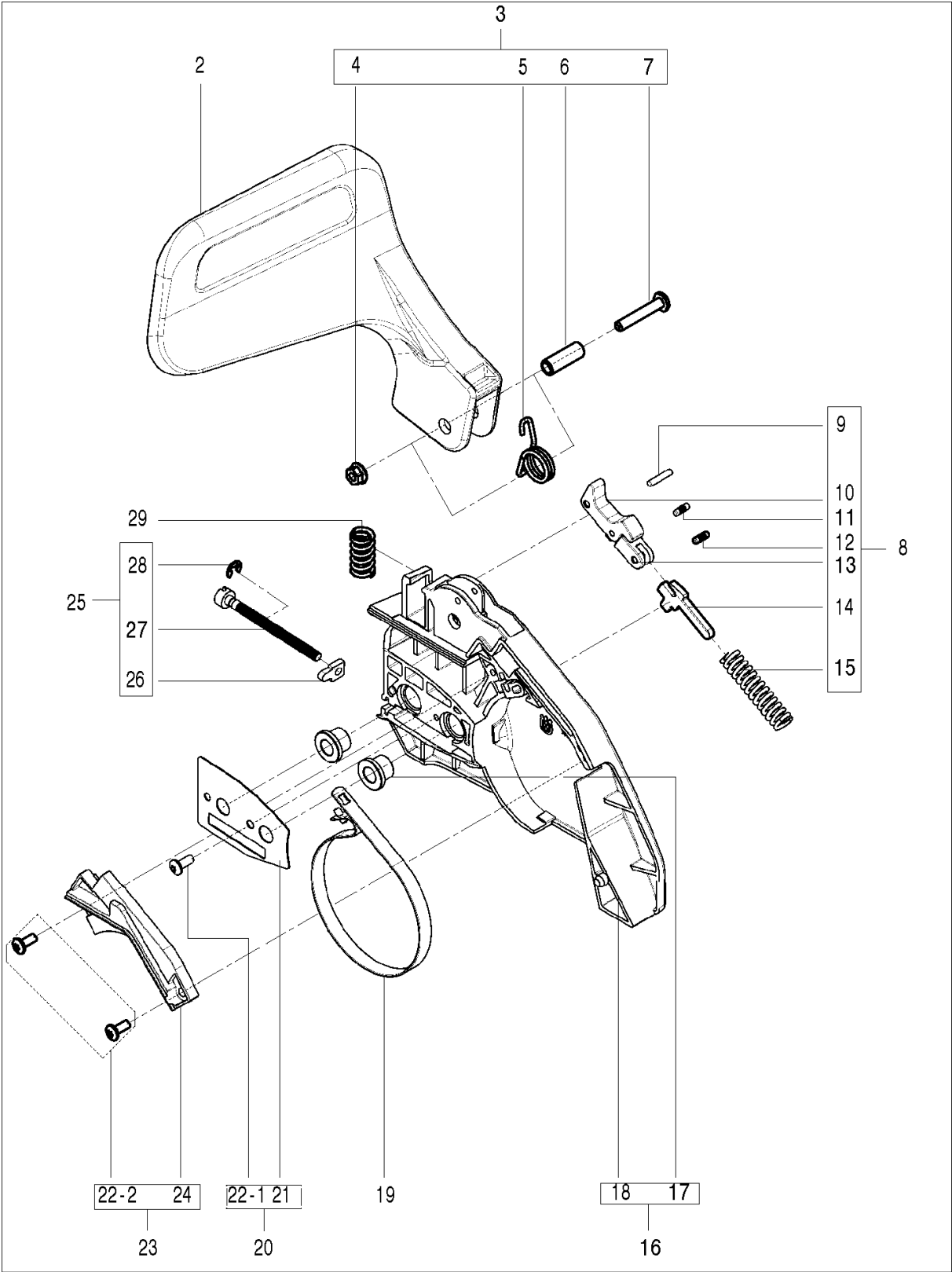
| Ref | Part No      | Description | Remark   | QTY KIT |
|-----|--------------|-------------|----------|---------|
| 1   | 574 73 01-01 | SCREW       |          | 4       |
| 2   | 574 22 39-01 | SCREW       |          | 3       |
| 3   | 574 22 42-01 | SPRING      |          | 1       |
| 5   | 574 22 53-01 | GROMMET     |          | 1       |
| 6   | 574 22 76-01 | SPACER      |          | 1       |
| 7   | 574 22 75-01 | SPRING      |          | 1       |
| 8   | 574 22 43-01 | BUSH        |          | 1       |
| 9   | 574 72 85-01 | GROMMET     |          | 1       |
| 10  | 586 09 86-03 | BRACKET     | incl 1-9 | 1       |



## CARBURETOR &amp; AIR FILTER

125, 967068002, 2016-06

| Ref | Part No      | Description     | Remark   | QTY KIT |
|-----|--------------|-----------------|----------|---------|
| 1   | 584 95 63-02 | SCREW           |          | 2       |
| 2   | 574 22 39-01 | SCREW           |          | 1       |
| 3   | 574 72 97-01 | FILTER HOLDER   |          | 1       |
| 4   | 582 60 32-01 | CARBURETTOR     |          | 1       |
| 7   | 589 57 02-01 | NUT             |          | 2       |
| 8   | 589 49 52-01 | ADAPTER         |          | 1       |
| 9   | 574 22 13-04 | SCREW           |          | 2       |
| 10  | 574 22 35-02 | GASKET          |          | 1       |
| 11  | 589 57 01-01 | SPACER          |          | 2       |
| 12  | 574 22 36-01 | GASKET          |          | 1       |
| 13  | 588 81 86-03 | CHOKE           | incl 6-7 | 1       |
| 14  | 574 22 37-02 | AIR FILTER ASSY |          | 1       |

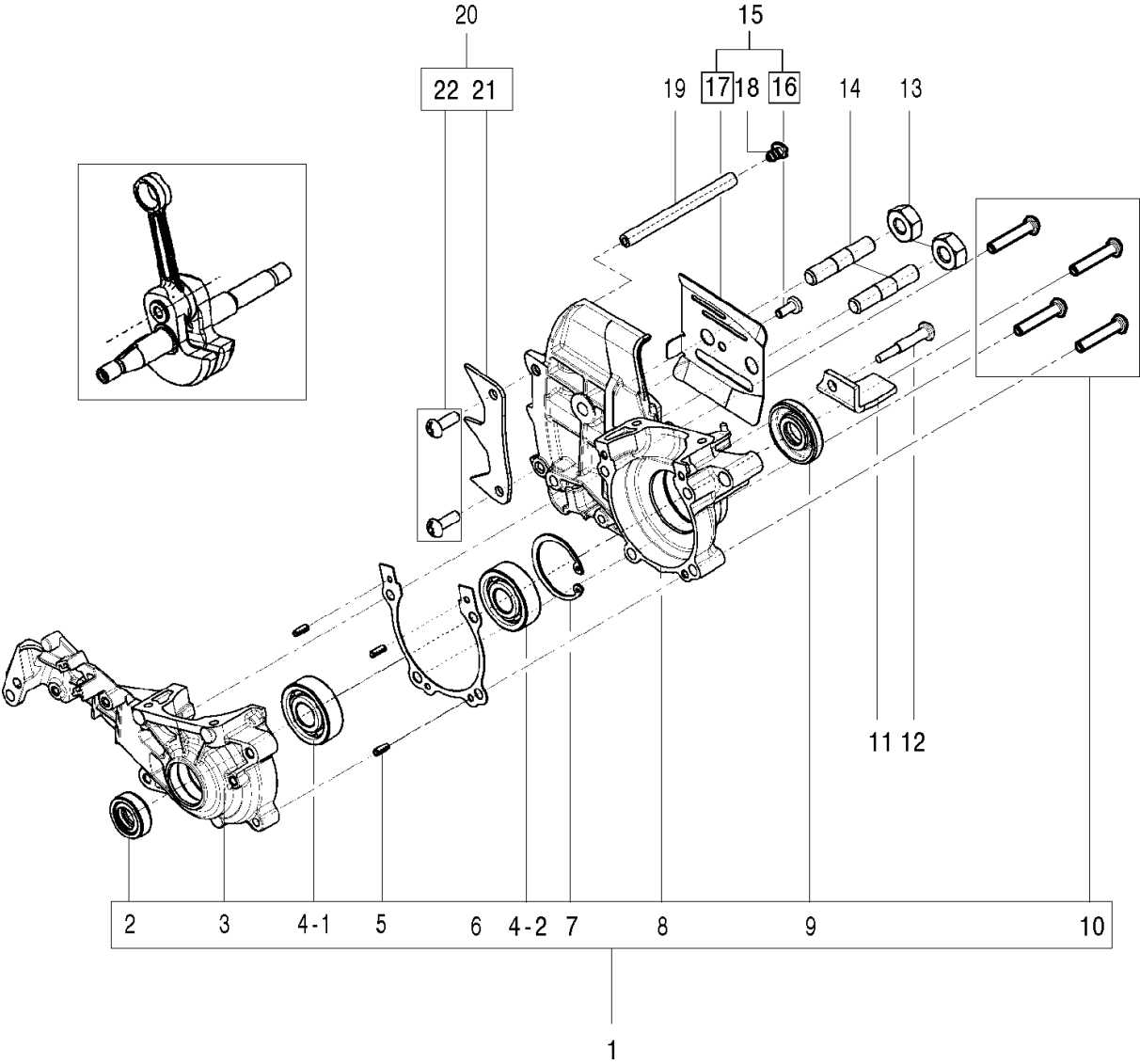




## CHAIN BRAKE

125, 967068002, 2016-06

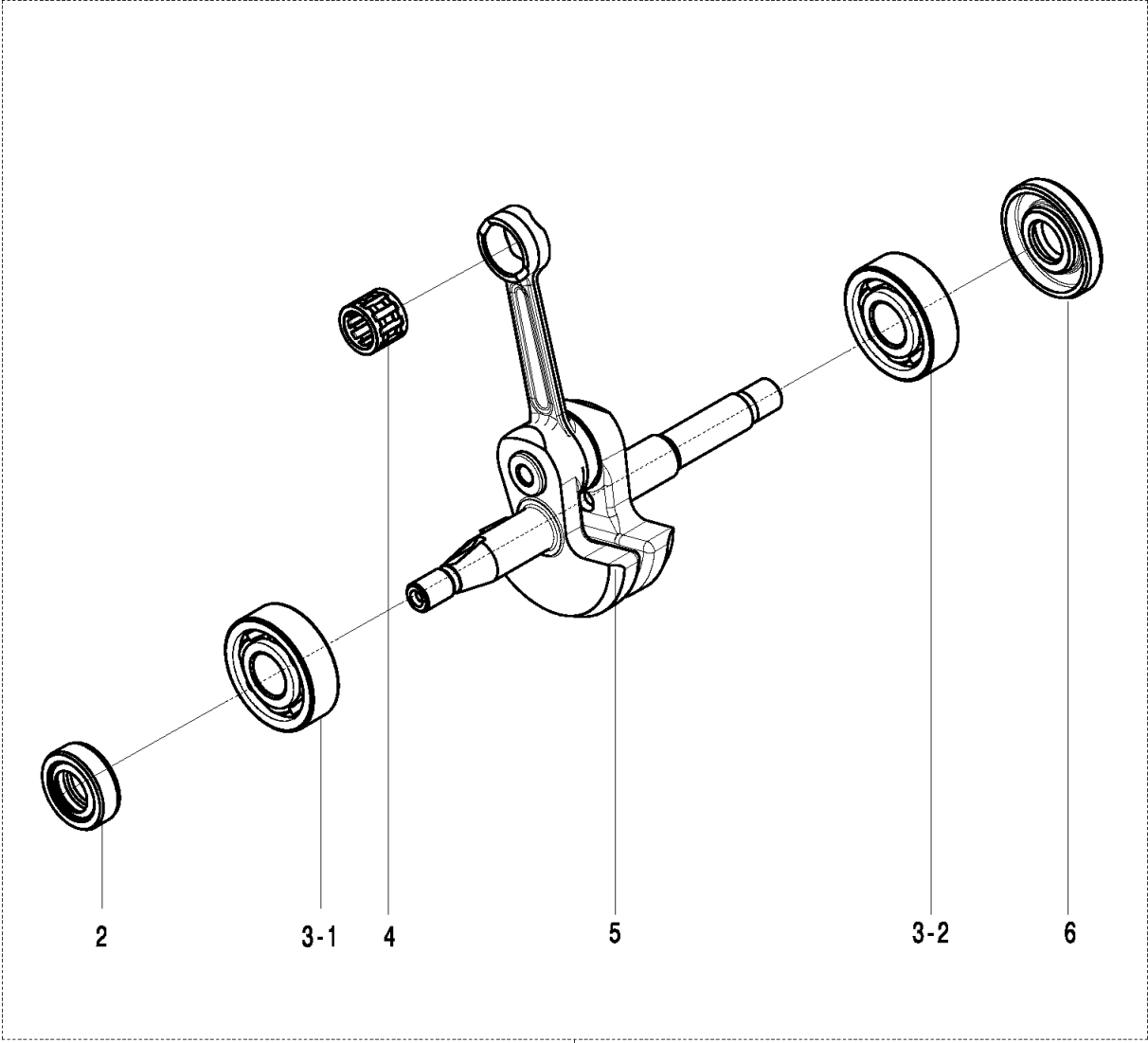
| Ref | Part No      | Description       | Remark        | QTY KIT |
|-----|--------------|-------------------|---------------|---------|
| 1   | 582 10 26-02 | CHAIN BRAKE ASSY  | incl 2-29     | 1       |
| 2   | 585 59 83-02 | HAND GUARD        |               | 1       |
| 3   | 582 61 01-01 | HAND GUARD ASSY   | incl 3-7      | 1       |
| 8   | 582 61 02-01 | BRAKE BAND ASSY   | incl 9-15     | 1       |
| 16  | 582 10 24-01 | CLUTCH COVER ASSY | incl 17, 18   | 1       |
| 19  | 581 42 73-01 | BRAKE BAND        | Pivot. 3/8-16 | 1       |
| 20  | 582 61 03-01 | GASKET            | incl 21, 22-1 | 1       |
| 23  | 582 61 05-01 | COVER ASSY        | incl 24, 22-2 | 1       |
| 25  | 582 61 04-01 | CHAIN BRAKE       | incl 26-28    | 1       |
| 29  | 586 04 22-01 | SPRING            |               | 1       |



## CRANKCASE

125, 967068002, 2016-06

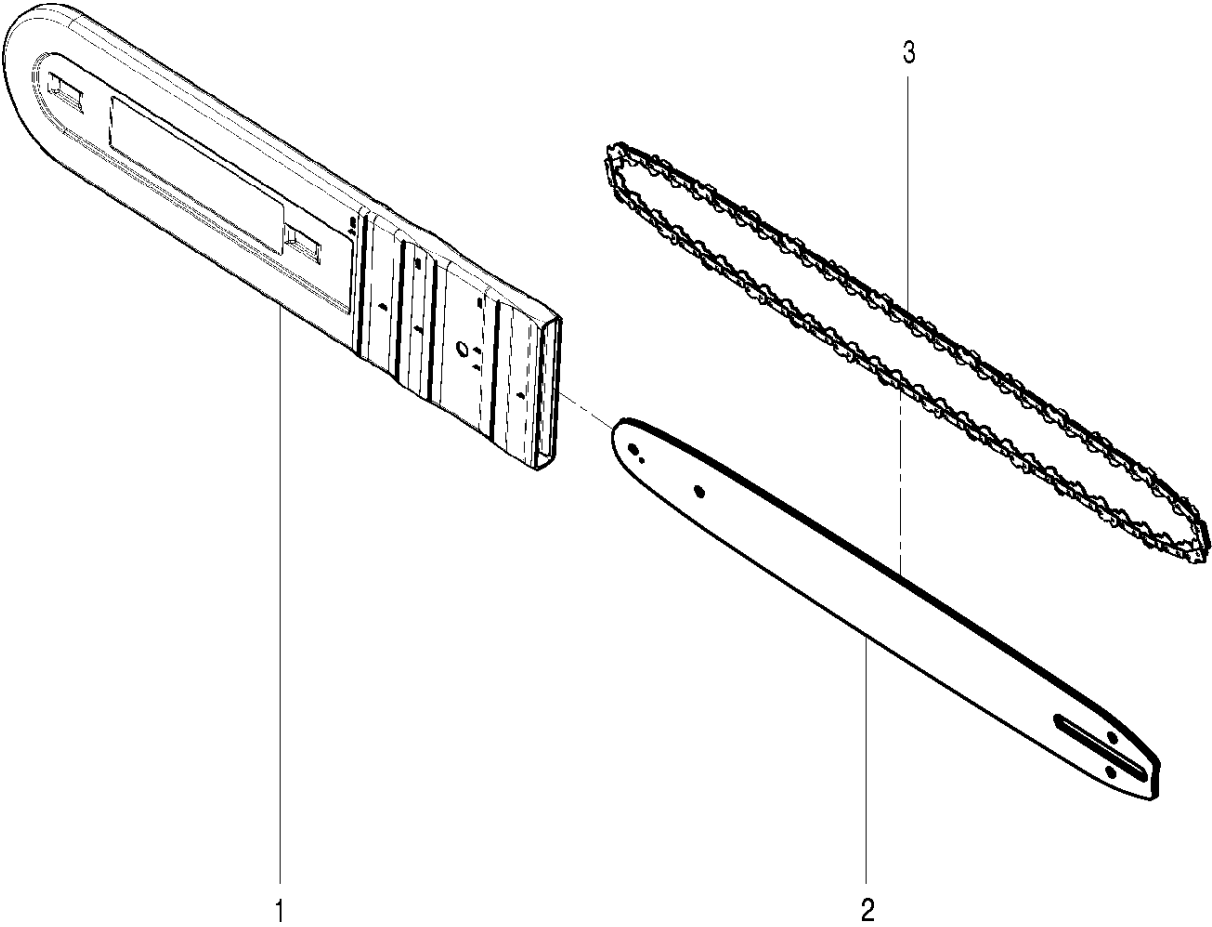
| Ref | Part No      | Description      | Remark      | QTY KIT |
|-----|--------------|------------------|-------------|---------|
| 1   | 582 62 92-01 | SHORT BLOCK ASSY | incl 2-10   | 1       |
| 11  | 574 22 58-01 | CHAIN CATCHER    |             | 1       |
| 12  | 574 73 11-01 | SCREW            |             | 1       |
| 13  | 574 22 55-01 | NUT              |             | 2       |
| 14  | 574 72 70-01 | SCREW            | incl 6-7    | 2       |
| 15  | 582 62 94-01 | BAR PLATE        | incl 16, 17 | 1       |
| 18  | 574 22 46-01 | CONNECTOR        |             | 1       |
| 19  | 574 22 45-01 | HOSE             |             | 1       |
| 20  | 582 62 96-01 | SPIKE            | incl 21, 22 | 1       |



CRANKSHAFT

125, 967068002, 2016-06

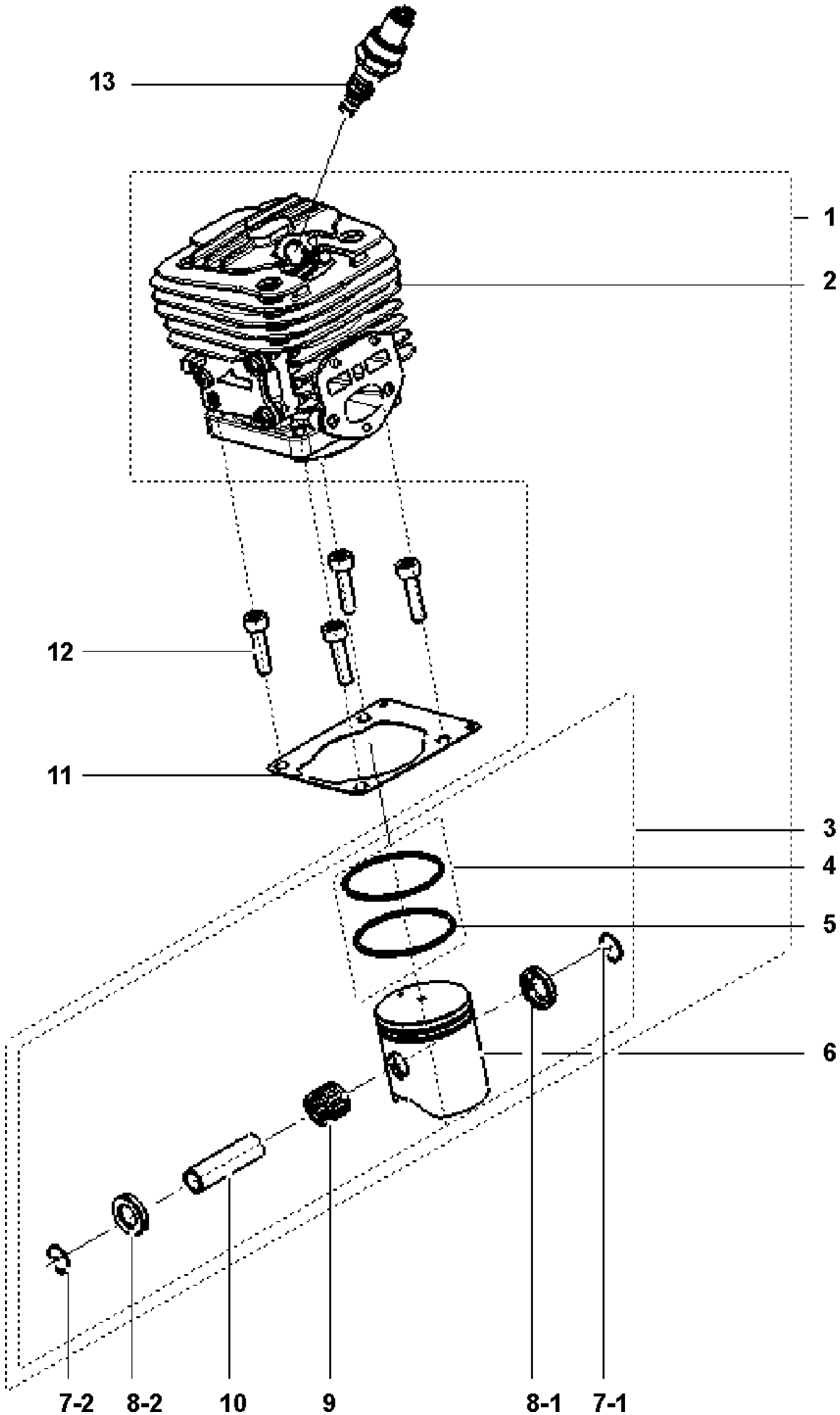
| Ref | Part No      | Description     | Remark   | QTY KIT |
|-----|--------------|-----------------|----------|---------|
| 1   | 582 62 91-01 | CRANKSHAFT ASSY | incl 2-6 | 1       |
| 4   | 574 72 57-01 | NEEDLE BEARING  |          | 1       |



CUTTING EQUIPMENT

125, 967068002, 2016-06

| Ref | Part No      | Description | Remark    | QTY KIT |
|-----|--------------|-------------|-----------|---------|
| 1   | 589 40 58-01 | BAR GUARD   | Bar guard | 1       |
| 2   | 545 00 55-09 | BAR         | Bar 16"   | 1       |
| 3   | 577 21 85-56 | SAW CHAIN   | Chain 16" | 1       |

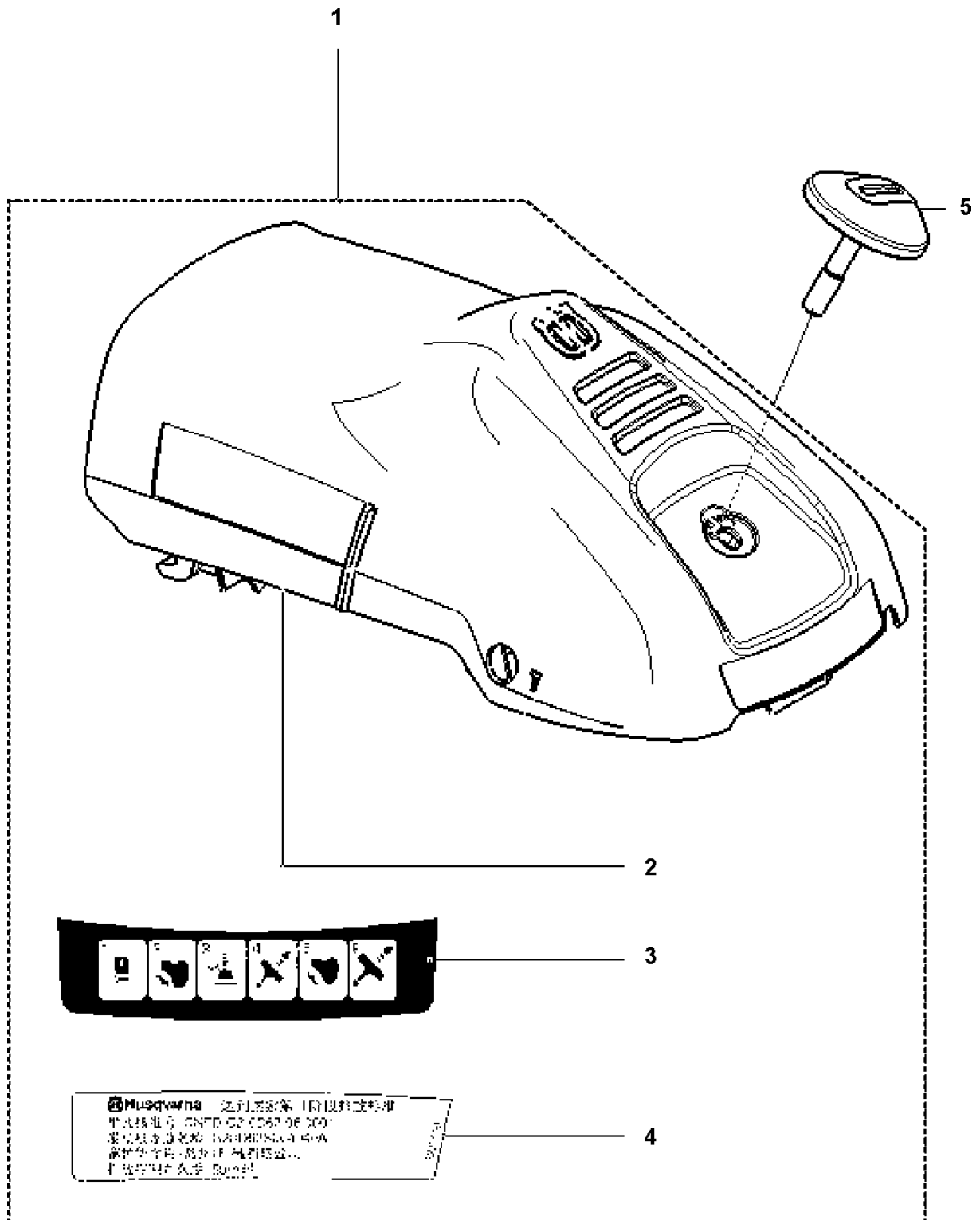




## CYLINDER

125, 967068002, 2016-06

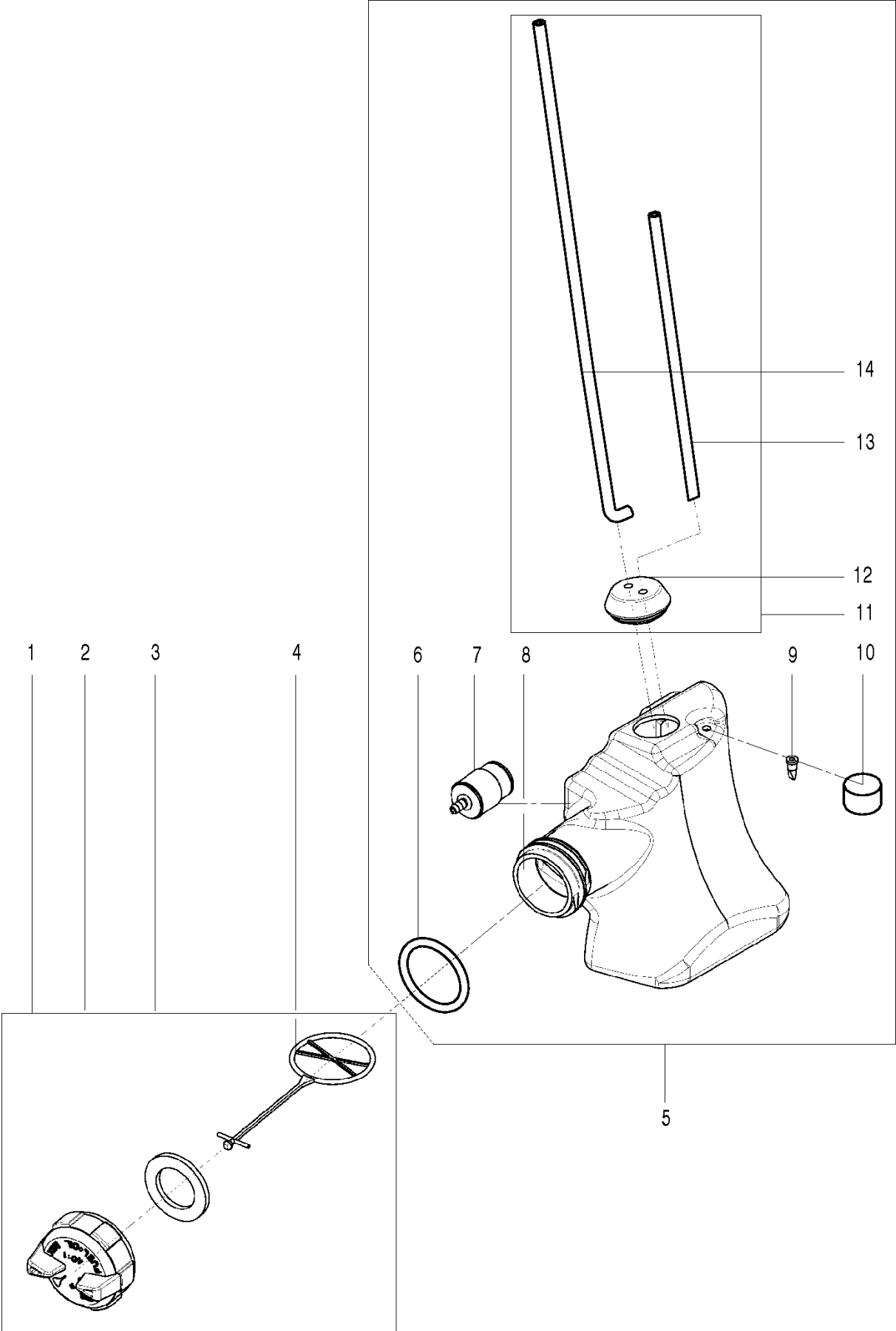
| Ref | Part No      | Description    | Remark | QTY KIT |
|-----|--------------|----------------|--------|---------|
| 1   | 582 63 00-03 | CYLINDER ASSY  |        | 1       |
| 3   | 582 62 84-01 | PISTON ASSY    |        | 1       |
| 4   | 582 62 85-01 | PISTON ASSY    |        | 1       |
| 9   | 574 72 57-01 | NEEDLE BEARING |        | 1       |
| 11  | 574 22 20-01 | GASKET         |        | 1       |
| 12  | 584 95 59-01 | SCREW          |        | 4       |
| 13  | 578 41 02-01 | SPARK PLUG     |        | 1       |



CYLINDER COVER

125, 967068002, 2016-06

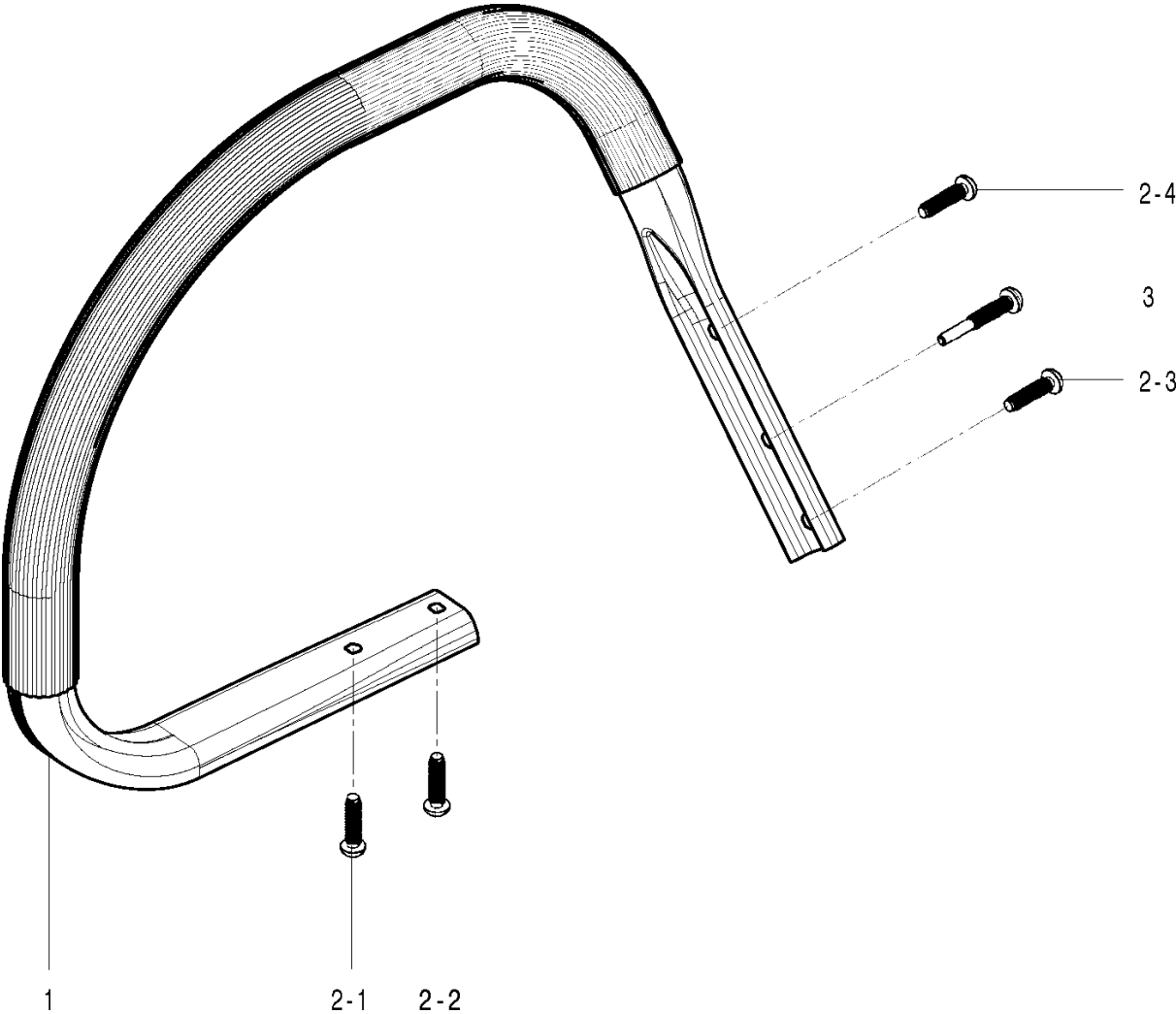
| Ref | Part No      | Description   | Remark   | QTY KIT |
|-----|--------------|---------------|----------|---------|
| 1   | 582 61 80-01 | CYLINDER ASSY | incl 2-3 | 1       |
| 4   | 582 88 32-01 | KNOB          |          | 1       |



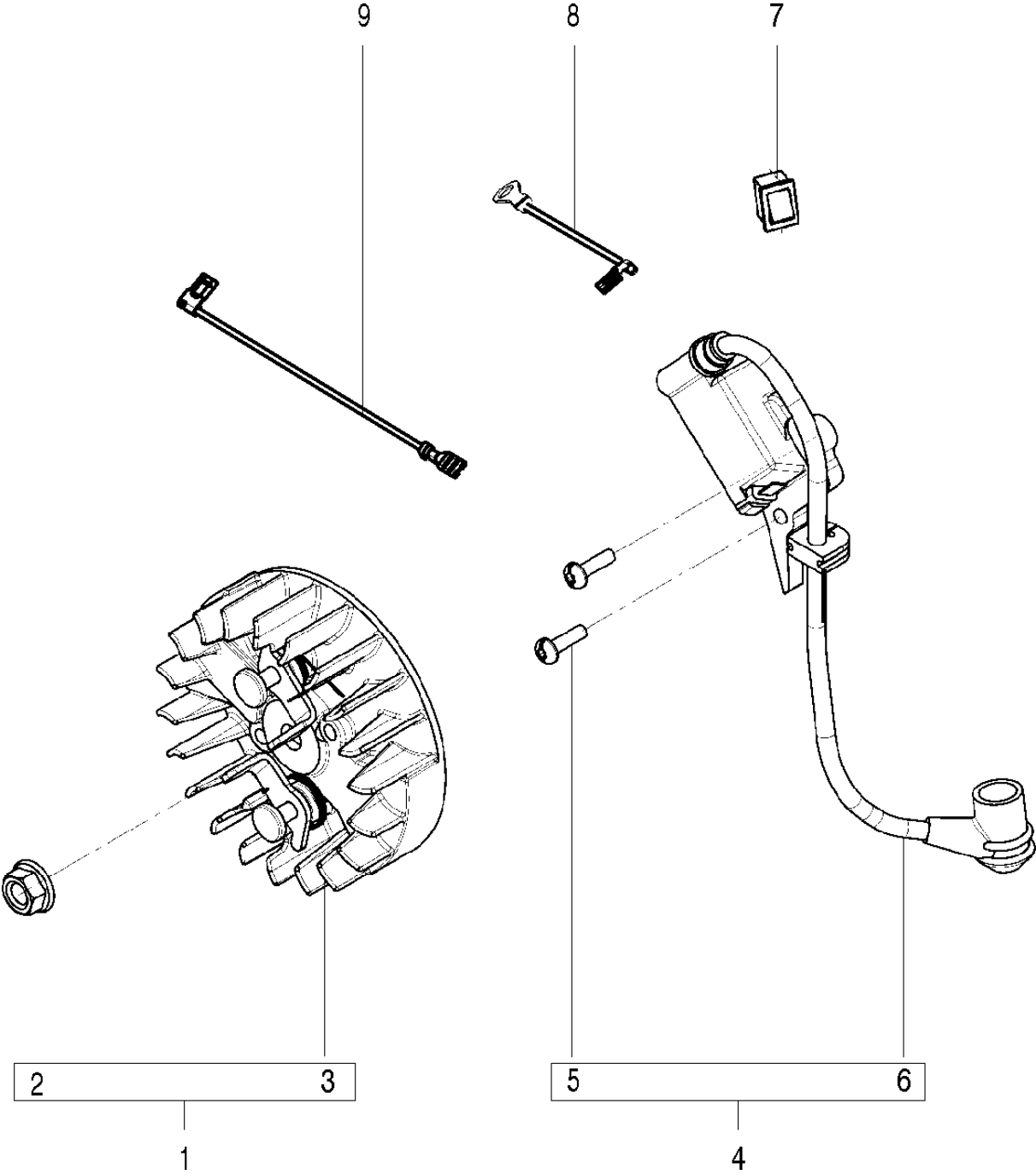
FUEL TANK

125, 967068002, 2016-06

| Ref | Part No      | Description   | Remark     | QTY KIT |
|-----|--------------|---------------|------------|---------|
| 1   | 574 22 71-02 | TANK CAP ASSY | incl 2-4   | 1       |
| 5   | 582 63 14-01 | FUEL TANK     | incl 6-11  | 1       |
| 6   | 586 87 41-01 | SEALING RING  |            | 1       |
| 11  | 582 63 15-01 | FUEL HOSE     | incl 12-14 | 1       |



| Ref | Part No      | Description  | Remark | QTY KIT |
|-----|--------------|--------------|--------|---------|
| 1   | 574 22 74-03 | FRONT HANDLE |        | 1       |
| 2   | 574 22 39-01 | SCREW        |        | 4       |
| 3   | 574 73 35-01 | SCREW        |        | 1       |

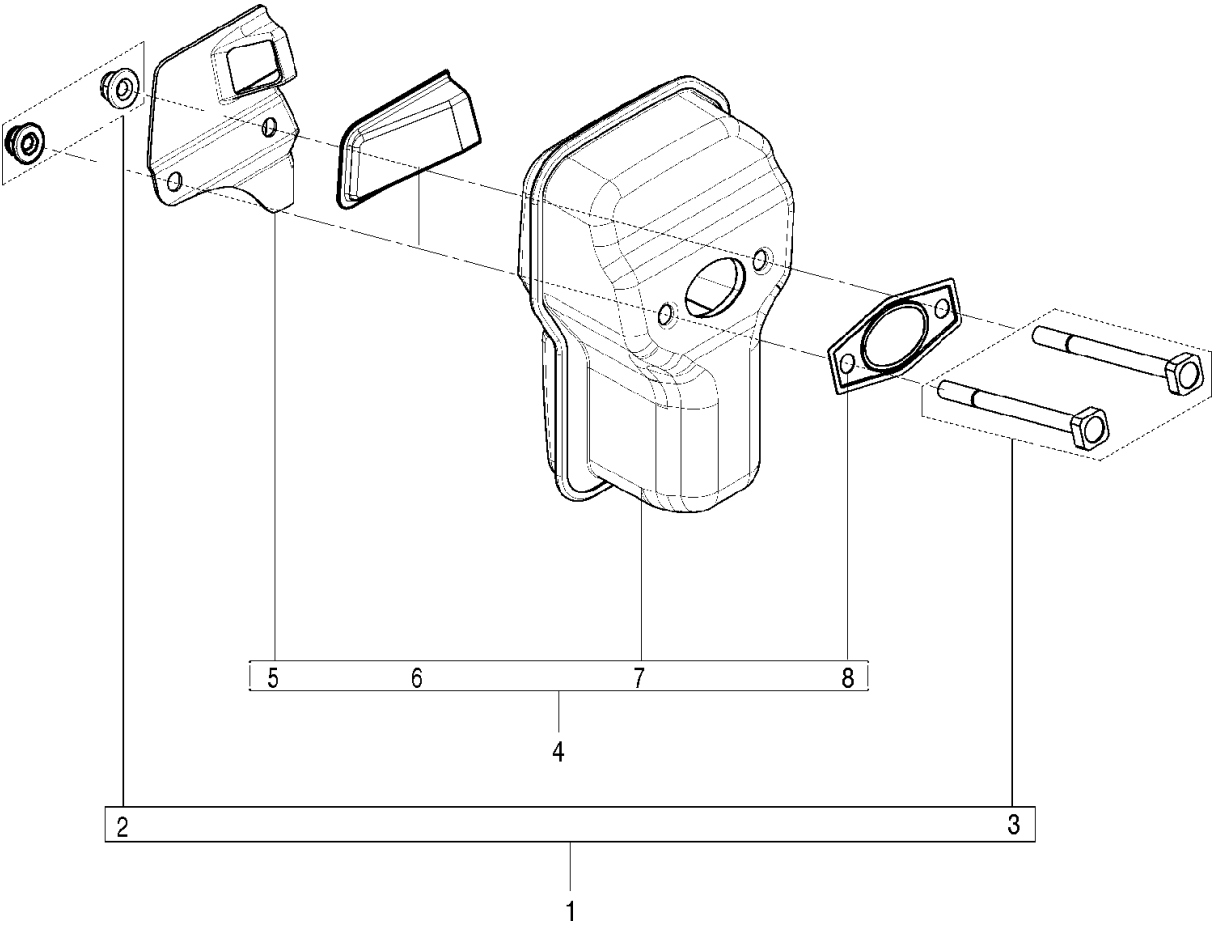




IGNITION SYSTEM

125, 967068002, 2016-06

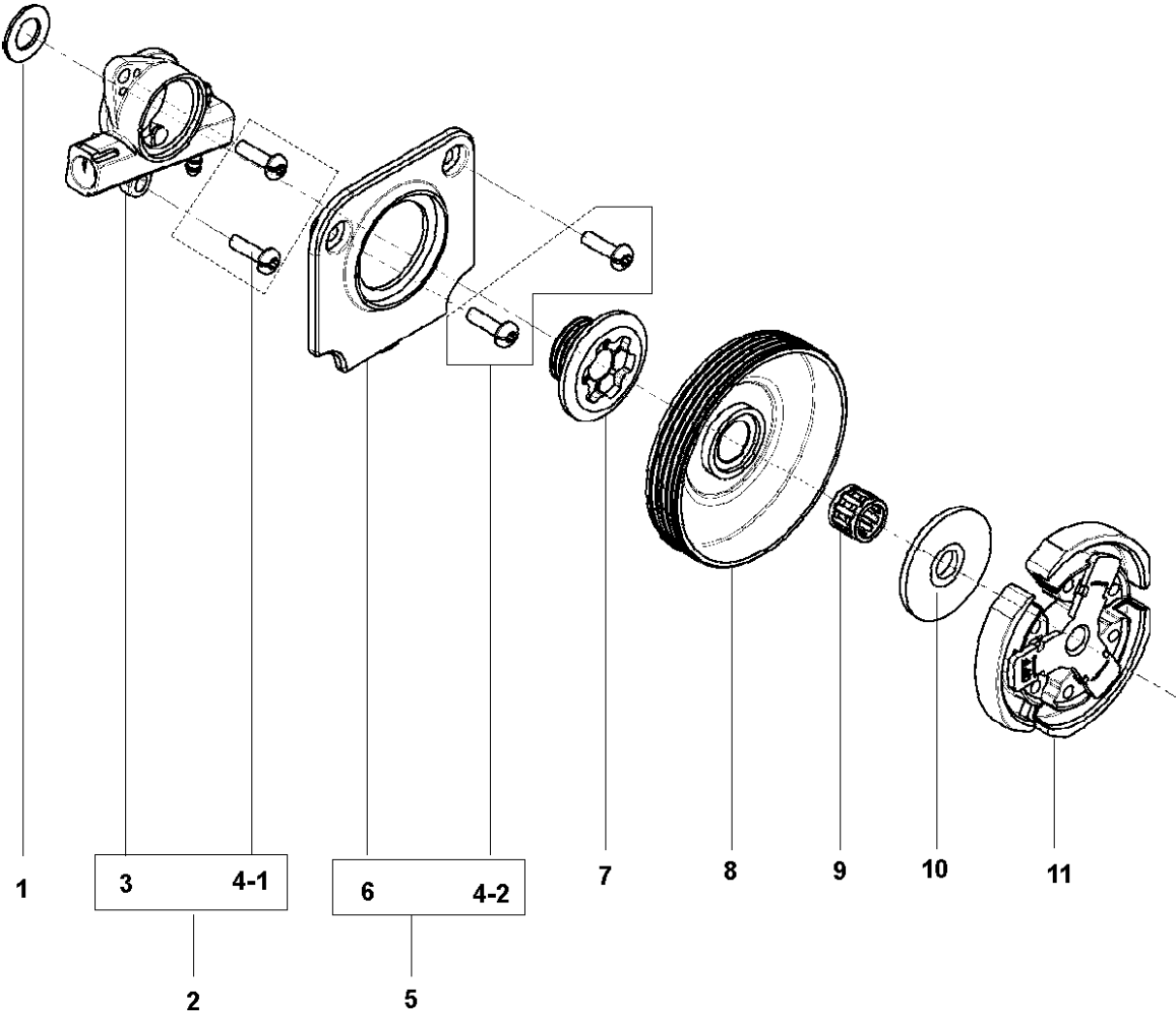
| Ref | Part No      | Description   | Remark   | QTY KIT |
|-----|--------------|---------------|----------|---------|
| 1   | 582 61 81-01 | FLYWHEEL ASSY | incl 2-3 | 1       |
| 4   | 582 61 82-01 | IGNITION KIT  | incl 5-6 | 1       |
| 7   | 574 22 64-01 | SWITCH        |          | 1       |
| 8   | 574 72 72-01 | WIRE          |          | 1       |
| 9   | 574 22 31-01 | WIRE          |          | 1       |



MUFFLER

125, 967068002, 2016-06

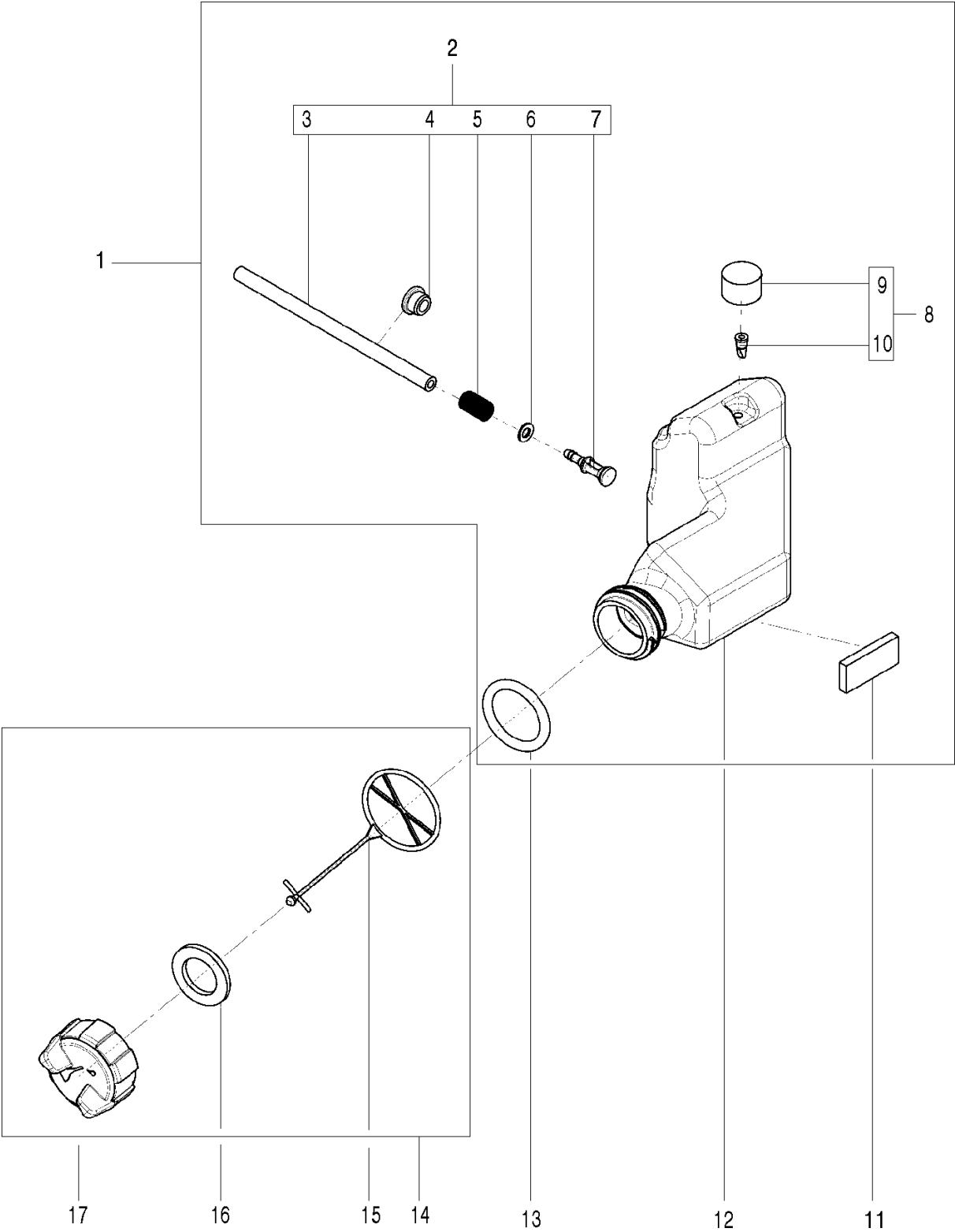
| Ref | Part No      | Description  | Remark    | QTY KIT |
|-----|--------------|--------------|-----------|---------|
| 1   | 582 63 01-01 | FIXING PLATE | incl 2, 3 | 1       |
| 4   | 582 63 04-01 | MUFFLER ASSY | incl 5-8  | 1       |
| 8   | 588 17 63-01 | GASKET       |           | 1       |



## OIL PUMP

125, 967068002, 2016-06

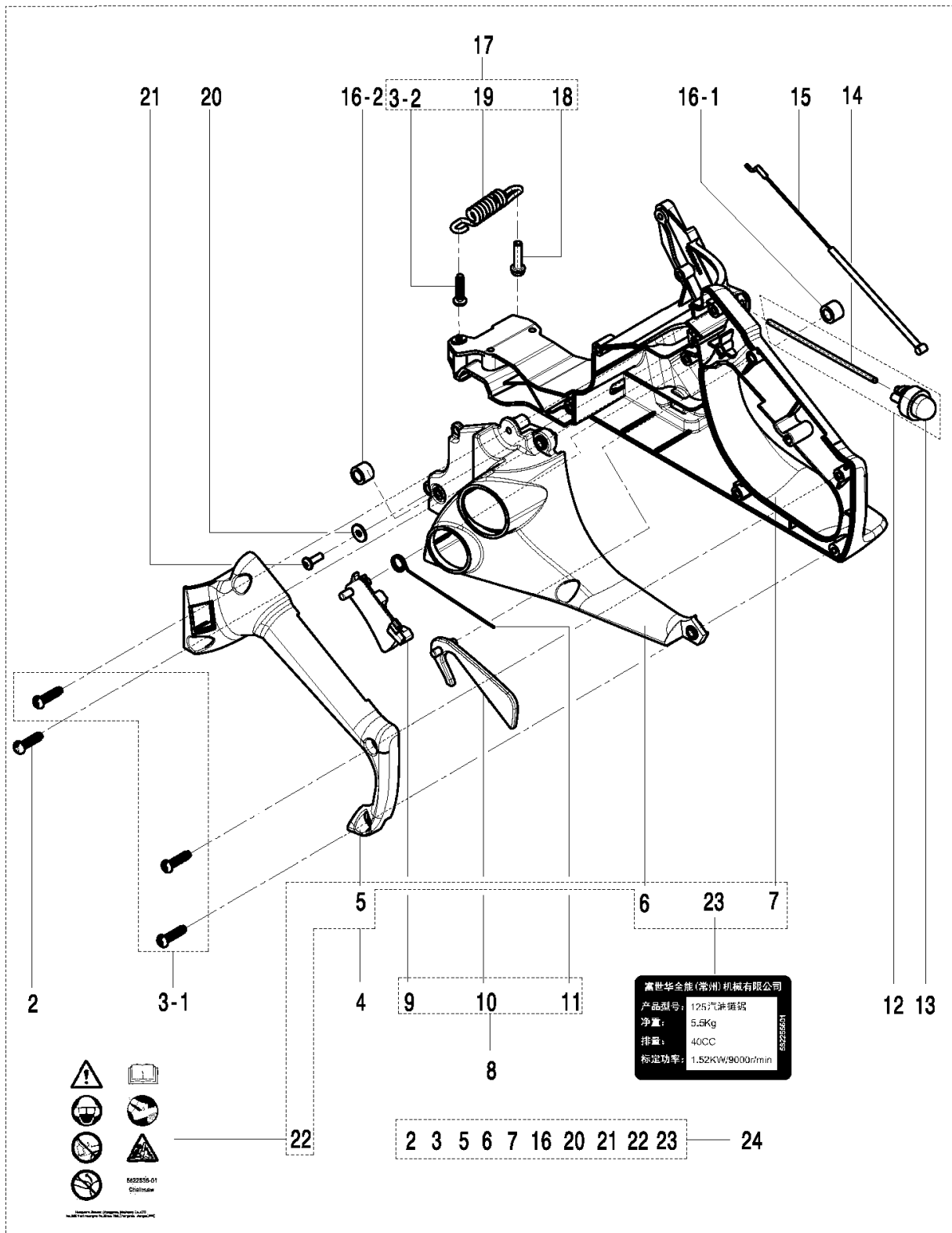
| Ref | Part No      | Description   | Remark | QTY KIT |
|-----|--------------|---------------|--------|---------|
| 1   | 574 22 44-01 | SPACER        |        | 1       |
| 2   | 589 40 44-01 | OIL PUMP ASSY |        | 1       |
| 4   | 574 22 13-02 | SCREW         |        | 4       |
| 5   | 589 40 46-01 | COVER ASSY    |        | 1       |
| 7   | 574 22 48-01 | WORM GEAR     |        | 1       |
| 8   | 574 71 85-01 | CLUTCH DRUM   |        | 1       |
| 9   | 529 26 99-01 | BEARING-COMP  |        | 1       |
| 10  | 574 22 51-01 | WASHER        |        | 1       |
| 11  | 574 22 52-01 | CLUTCH ASSY   |        | 2       |



## OIL TANK

125, 967068002, 2016-06

| Ref | Part No      | Description   | Remark      | QTY KIT |
|-----|--------------|---------------|-------------|---------|
| 1   | 582 63 12-01 | OIL TANK      | incl 2-10   | 1       |
| 2   | 582 63 17-01 | OIL HOSE      | incl 3-7    | 1       |
| 8   | 582 63 13-01 | NIPPLE        | incl 9, 10  | 1       |
| 13  | 586 47 18-01 | O-RING        | incl 11, 12 | 1       |
| 14  | 574 22 69-01 | TANK CAP ASSY | incl 15-17  | 1       |

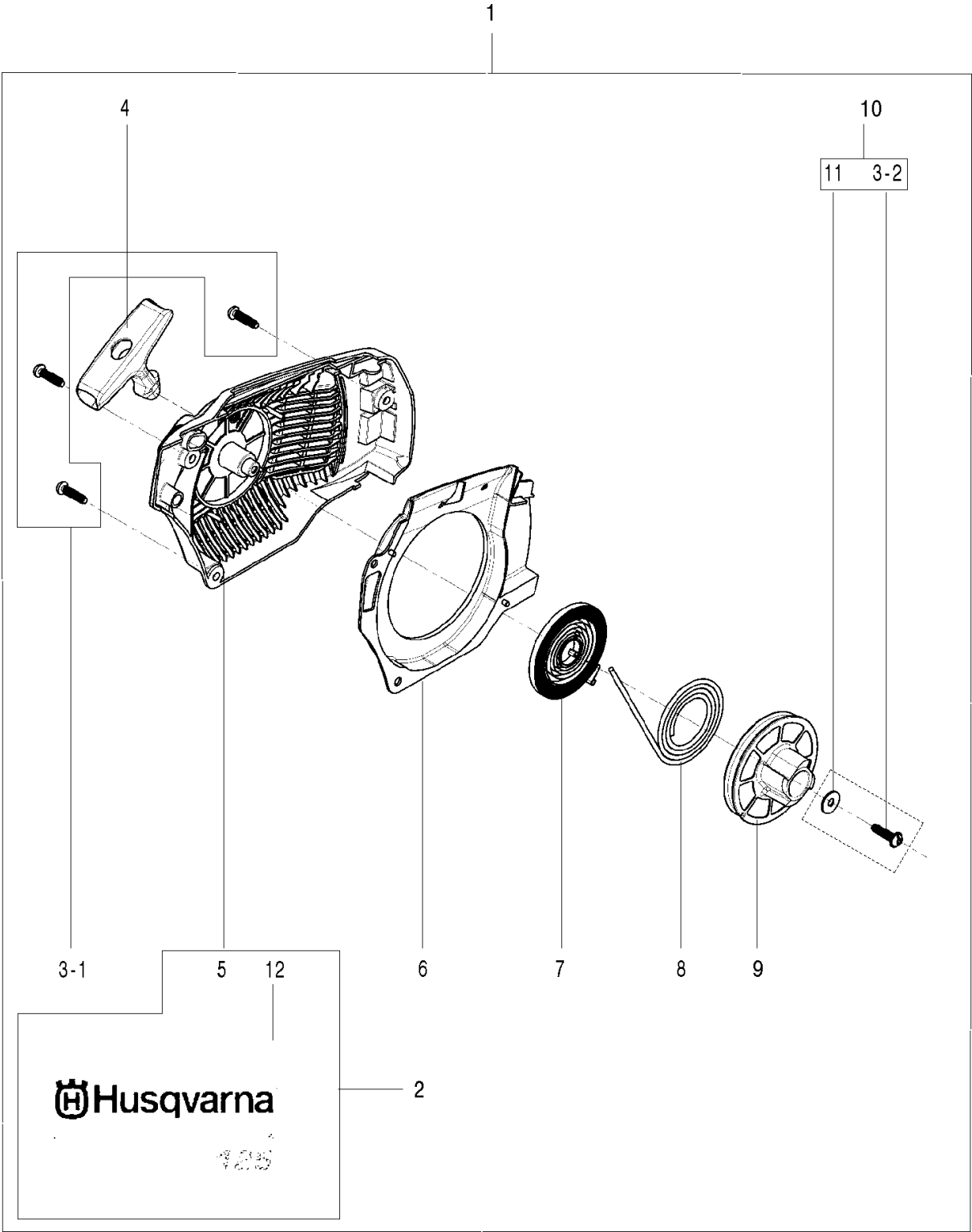




## REAR HANDLE

125, 967068002, 2016-06

| Ref | Part No      | Description      | Remark              | QTY KIT |
|-----|--------------|------------------|---------------------|---------|
| 1   | 582 63 06-02 | HANDLE ASSY      | incl 2-23           | 1       |
| 2   | 574 22 39-02 | SCREW            |                     | 1       |
| 3   | 574 22 39-01 | SCREW            |                     | 3       |
| 4   | 582 63 07-02 | HANDLE ASSY      | incl 5-7, 22        | 1       |
| 8   | 582 63 08-01 | TRIGGER          | incl 9-11           | 1       |
| 12  | 582 63 09-01 | PURGE            | incl 13-14          | 1       |
| 15  | 574 22 67-01 | THROTTLE CABLE   |                     | 1       |
| 16  | 574 73 29-01 | GROMMET          |                     | 2       |
| 17  | 582 63 10-01 | SPRING           | incl 18, 19, 22     | 1       |
| 20  | 734 11 37-41 | WASHER           |                     | 1       |
| 21  | 574 22 65-02 | SCREW            |                     | 1       |
| 24  | 582 63 11-02 | REAR HANDLE ASSY | incl 2-7, 16, 20-22 | 1       |



## STARTER

125, 967068002, 2016-06

| Ref | Part No      | Description     | Remark       | QTY KIT |
|-----|--------------|-----------------|--------------|---------|
| 1   | 582 61 83-01 | STARTER ASSY    | incl 2-12    | 1       |
| 2   | 582 66 39-01 | STARTER HOUSING | incl 5, 12   | 1       |
| 7   | 584 79 18-01 | SPRING          |              | 1       |
| 10  | 582 61 85-01 | PULLEY ASSY     | incl 11, 3-2 | 1       |